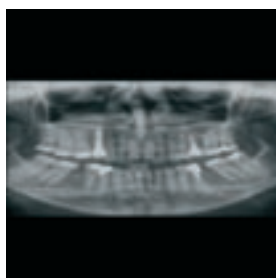


# CR 30-X

## Digitizer



- TABLE-TOP DIGITIZER
- BROAD RANGE OF APPLICATIONS
- LOW COST OF OWNERSHIP
- HORIZONTAL CASSETTE INSERTION
- MOBILE



## NO QUALITY COMPROMISES

### Broad range of applications

CR 30-X is a highly versatile digitizer. It offers an ideal solution for any private and decentralized CR environment. CR 30-X can handle general radiology and dental applications.

### Full data

The CR 30-X makes no compromises in image quality: it reads imaging plates at the high resolution of 10 pixels/mm for all image plate sizes.

### Table-top

With its table-top size, the CR 30-X digitizer can be placed easily at any location. It works with dedicated cassettes and was designed with ease of use in mind, for optimal handling, comfort and maintenance. When combined with the optionally available universal X-ray shielding, the CR 30-X can be used inside the X-ray room.

### Low total cost of ownership

Installing the CR 30-X can be done in a single day. With the special LED technology in the erasure unit, no additional electricity is required, so standard electrical outlets are sufficient. No preliminary electrical work means a lower set-up cost and simpler installation. With its modular, component-based design, it offers faster, easier and more cost-effective maintenance.

**NX**

CR 30-X is available in combination with NX, Agfa's image identification and quality control tool, for the most efficient and optimized radiology workflow.

**Cassettes with memory**

CR 30-X uses dedicated cassettes with an embedded memory that stores the data entered during identification. The built-in antenna card identifies the data by no-touch radiofrequency tagging. ID data and images are linked from the beginning throughout the entire electronic processing system.



**CASSETTE SIZES: CR MD4.0T GENERAL CASSETTES**

Accepted Cassette Sizes	Spatial Resolution	Pixel Matrix Size
<b>Resolution</b>		
35 x 43 cm (14 x 17")	10 pixels / mm	3480 x 4248
24 x 30 cm	10 pixels / mm	2328 x 2928
18 x 24 cm	10 pixels / mm	1728 x 2328
15 x 30 cm	10 pixels / mm	1440 x 2928

# technical

## SPECIFICATIONS

### GENERAL

#### Digitizer type

- Single cassette feed
- Throughput:  
 35 x 43 cm (14 x 17") = approx. 60 plates/hour  
 24 x 30 cm (9.5 x 12") = approx. 71 plates/hour  
 18 x 24 cm (7 x 9.5") = approx. 76 plates/hour  
 15 x 30 cm (6 x 12") = approx. 82 plates/hour

#### Display

- LED Status Indicator
- Status and error messages on external PC monitor

#### Greyscale resolution

- Data acquisition: 20 bits/pixel
- Output to processor: 16 bits/pixel

#### Dimensions and weight

- (W x D x H): 693 x 701 x 464 mm (27.2 x 27.6 x 18.2")  
 Depth including input tray: 769 mm (30.3")
- Weight: approx. 98 kg (216.05 lbs)

#### Power

- 220 - 240 V/50-60 Hz  
 Standby 120W, max 320W, 16A fuse
- 120V/60Hz (USA)  
 Standby 120W, max 320W, 15A fuse
- 100V/60Hz (Japan)  
 Standby 120W, max 320W, 15A fuse

#### Minimum requirements

- CR MD 4.0T General Cassette
- CR MD 4.0 General Plate
- NX

#### Environmental conditions

- Temperature: 15 - 30 °C (59 - 86°F)
- Humidity: 15 - 80% RH
- Magnetic fields: max. 3.8 μT in conformance with EN 61000-4-8: level 2
- Rate of change of temperature: 0.5°C/minute (0.9°F)

#### Environmental effects

- Noise level: max. 65 dB (A)
- Heat dissipation: standby 120 W, max. 320 W

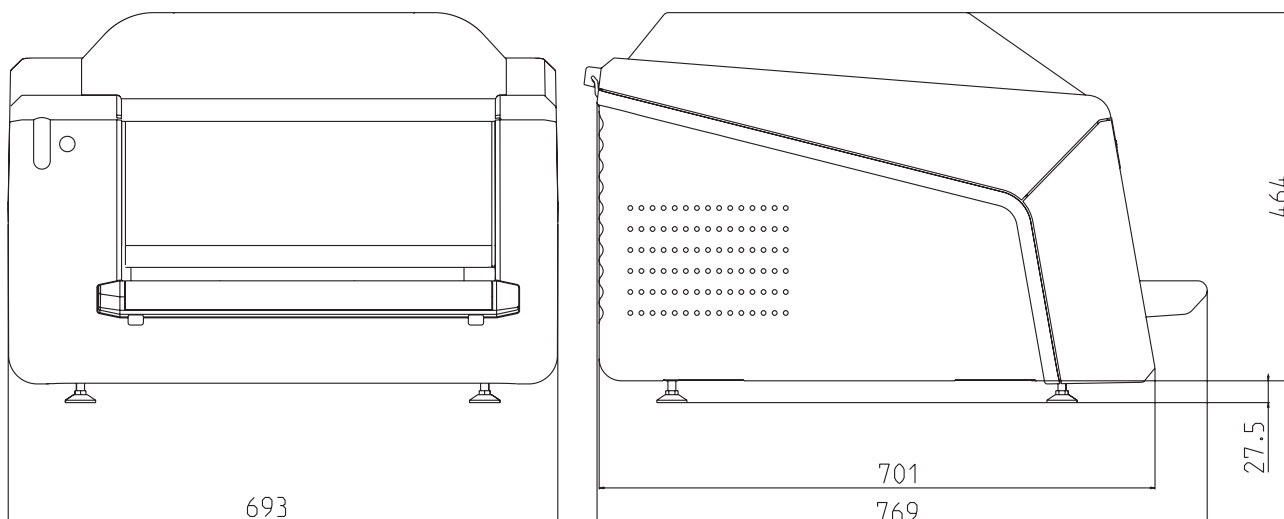
#### SAFETY

#### Approvals

- UL, cUL, CE

#### Transport details

- Temperature: -25 to +55°C (-4 to 131°F),  
 -25°C for max. 72 hours, +55°C for max. 96 hours
- Humidity: 5 - 95% RH



## SAFETY

Region	Regulation	X-Ray	Laser
Europe	EN 60601-1: 1990 + A1: 1993 + A2: 1995 EN 60601-1-2: 2001	Regulation: 1987	EN 60825 - 1:2001
USA	UL 60601-1 21CFR part 820: good manufacturing practice for medical devices	DHHS/FDA 21 CFR part 1002, subchapter B	DHHS/FDA 21 CFR parts 1040, 10 and 1040, 11
Canada	CSA22.2 No.601.1 No.601.1.2		



Agfa and the Agfa rhombus are trademarks of Agfa-Gevaert N.V., Belgium or its affiliates. All other trademarks are held by their respective owners and are used in an editorial fashion with no intention of infringement. The data in this publication are for illustration purposes only and do not necessarily represent standards or specifications which must be met by Agfa. All information contained herein is intended for guidance purposes only, and characteristics of the products described in this publication can be changed at any time without notice. Products may not be available for your local area. Please contact your local sales representative for availability information. Agfa diligently strives to provide as accurate information as possible, but shall not be responsible for any typographical error. Agfa-Gevaert N.V. has been awarded the ISO 9001 certificate by Lloyd's Register Quality Assurance. The business group HealthCare has been awarded the ISO 13485 certificate for design, development and production of imaging and communication solutions for healthcare applications.

© Copyright 2007 Agfa-Gevaert N.V.  
 All rights reserved  
 Printed in Belgium  
 Published by Agfa-Gevaert N.V.,  
 B-2640 Mortsels-Belgium  
 NKGKU GB 00200703